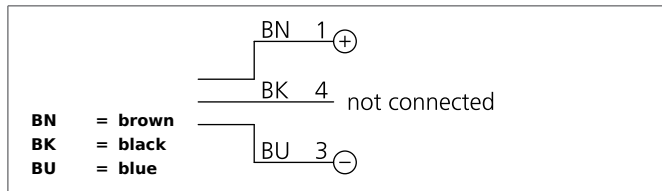


BE 1-A130-G2-K-BS

Barlight

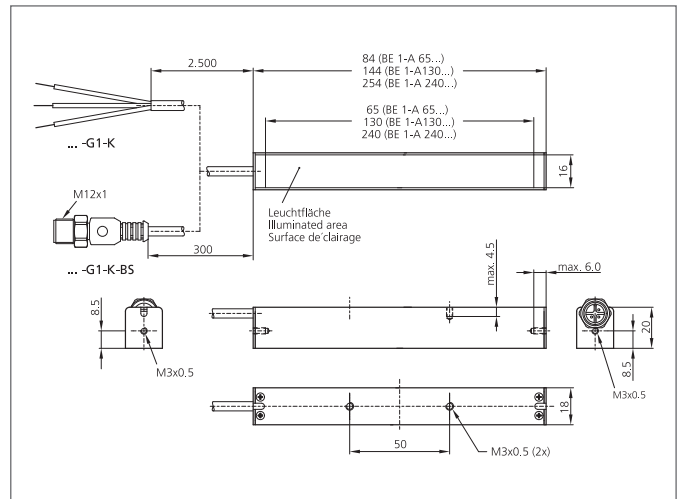
- Very compact design
- Homogenous luminous field
- Cable outlet at the front or back side usable
- Universal mounting possibility
- Metal casing
- Homogenous illumination
- High efficiency
- Robust metal casing



Safety instructions

The Instruments are not to be used for safety applications, in particular applications in which safety of persons depends on proper operation of the instruments.

These instruments shall exclusively be used by qualified personnel.



TECHNICAL INFORMATION (typ.)	+20°C, 24V DC
Design	Barlight
Illuminated area	130 mm
Light colour	Green, 525 nm
Emission angle	40°
Illumination intensity	11.600 Lux (0,1 m), 3.500 Lux (0,2 m), 600 Lux (0,5 m)
Service voltage	24 V DC (Supply Class 2)
Internal power consumption	190 mA, (24 V DC)
Power	4,5 W (24 V DC)
Ambient temperature	0 ... +40 °C
Protection class	IP 20
Protection degree	III, operation on protective low voltage
Risk group (DIN EN 62471)	Free group
Casing material	Aluminium anodized
Connection	cable PUR, 300 mm, M12
Connecting cable	VK ...